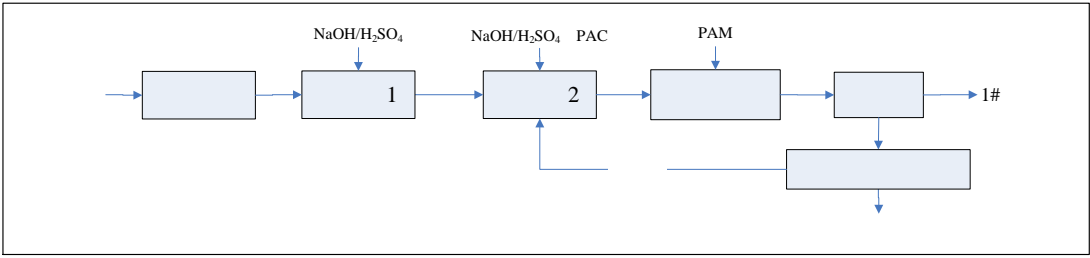
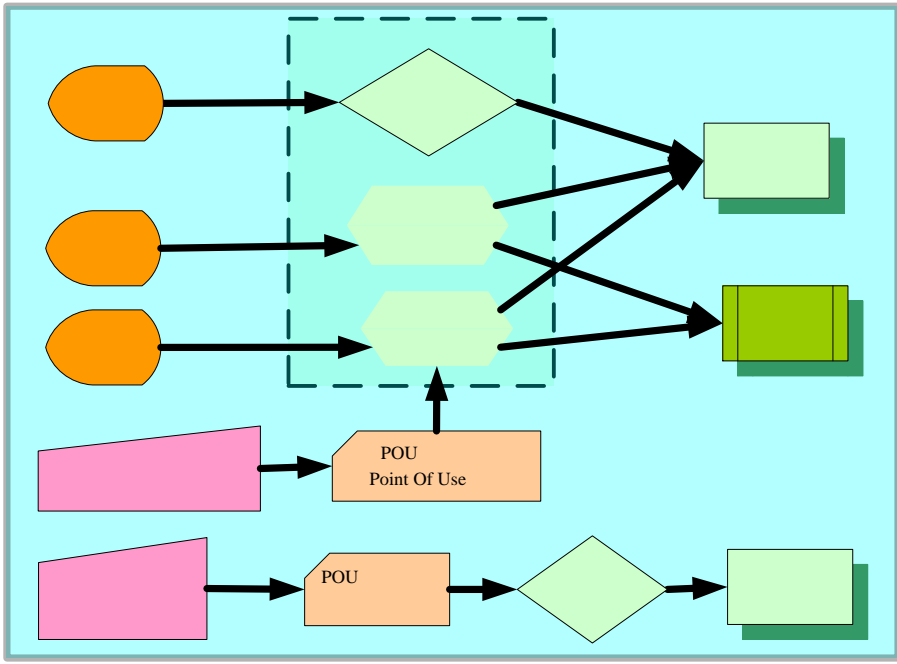
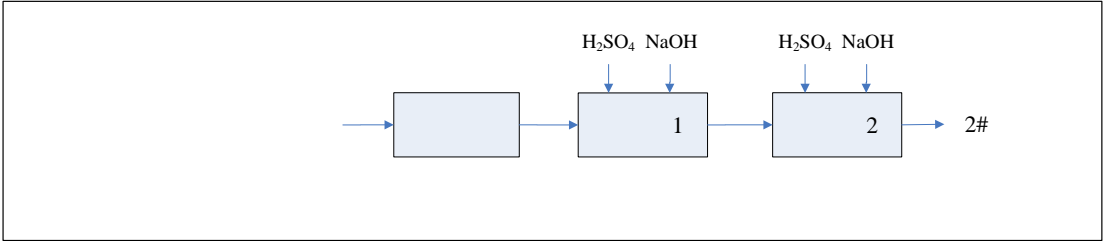


2017 8 20

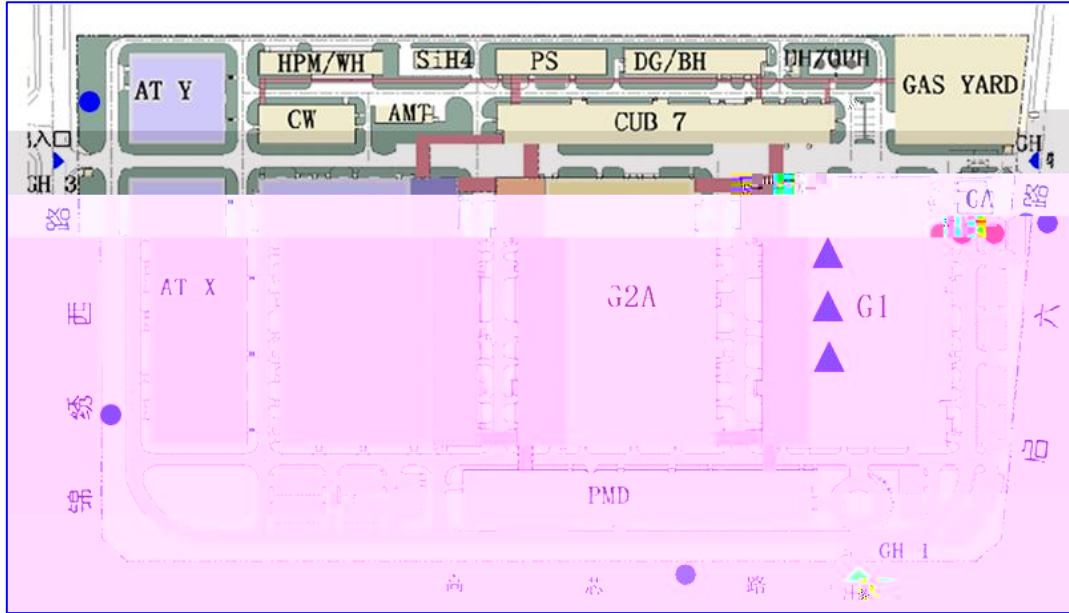
1.



5



2.





HJ/T355-2007

HJ/T356-2007

2

2

	pH		SC200+PH	
	COD		COD MAXII	
			FBM-160	

2017

DB44/26-2001

DB44/27-2001

(GB3096-2008)3

3



3.

3

5

[http //www.smics.com/chn/about/esh.php](http://www.smics.com/chn/about/esh.php)

4.

2017 8 20